



ITT

Water & Wastewater

Royce JC Series Compressor Cleaning Systems



**MODEL JC-1 COMPRESSOR
(SINGLE CHANNEL)**

The time proven Royce Technologies Jet Clean system is now available in 1, 2 or 4 channel versions. The addition of several new Royce multi-channel analyzers, in the dissolved oxygen and total suspended solids lines, made it imperative that we also provide our customers with multi-channel, rail mounted, Jet Clean compressor capabilities.

The results of the 2003 Instrument Testing Association (ITA) On-line Dissolved Oxygen Analyzer Test proved that our competitor's low volume, low pressure pump cleaning systems are not adequate for sensor cleaning. In that test only Royce sensors remained in conformance throughout the duration of the test, due in no uncertain terms, to the quality of the Jet Clean system. Royce will never compromise on the quality of our equipment. The Royce Jet Clean compressor system is the only one on the market that handles difficult applications such as pure oxygen reactors,



**MODEL JC-4 COMPRESSOR
(FOUR CHANNEL)**

plants with red worms or egg sacks, or Membrane Biological Reactors (MBR) where MLSS concentrations can reach 17,000 mg/l. Our Jet Clean systems are also the only ones capable of acceptable cleaning performance in dairy and slaughterhouse wastewater plants.

An industrial grade high output compressor is used on all Royce JC Series compressor cleaning systems. By using the same compressor for multiple instrument sensors, the cost per sensor is drastically reduced. Any Royce analyzer can operate any JC Series compressor. In fact, a multi-channel JC-2 or JC-4 can be used on any combination of Royce dissolved oxygen or total suspended solids sensors at one time.

The Models JC 1, 2, and 4 are all available in either 115 VAC or 230 VAC versions, and all electrical parts are CE certified.

Engineered for life

JC SERIES COMPRESSOR SPECIFICATIONS

Channels:

One, Two or Four

Compatibility:

All Royce Analyzers

Compressor Ambient Conditions:

0 to 70°C
-10 to 70°C with optional heater

Input Power:

115 VAC, 50 – 60 Hz or 230 VAC, 50 – 60 Hz
+10% to -15%

Outputs:

Up to four, 1/4" push seal bulkhead connections

Enclosure Protection:

Vent port fitted

Enclosure:

NEMA 4X (IP65)

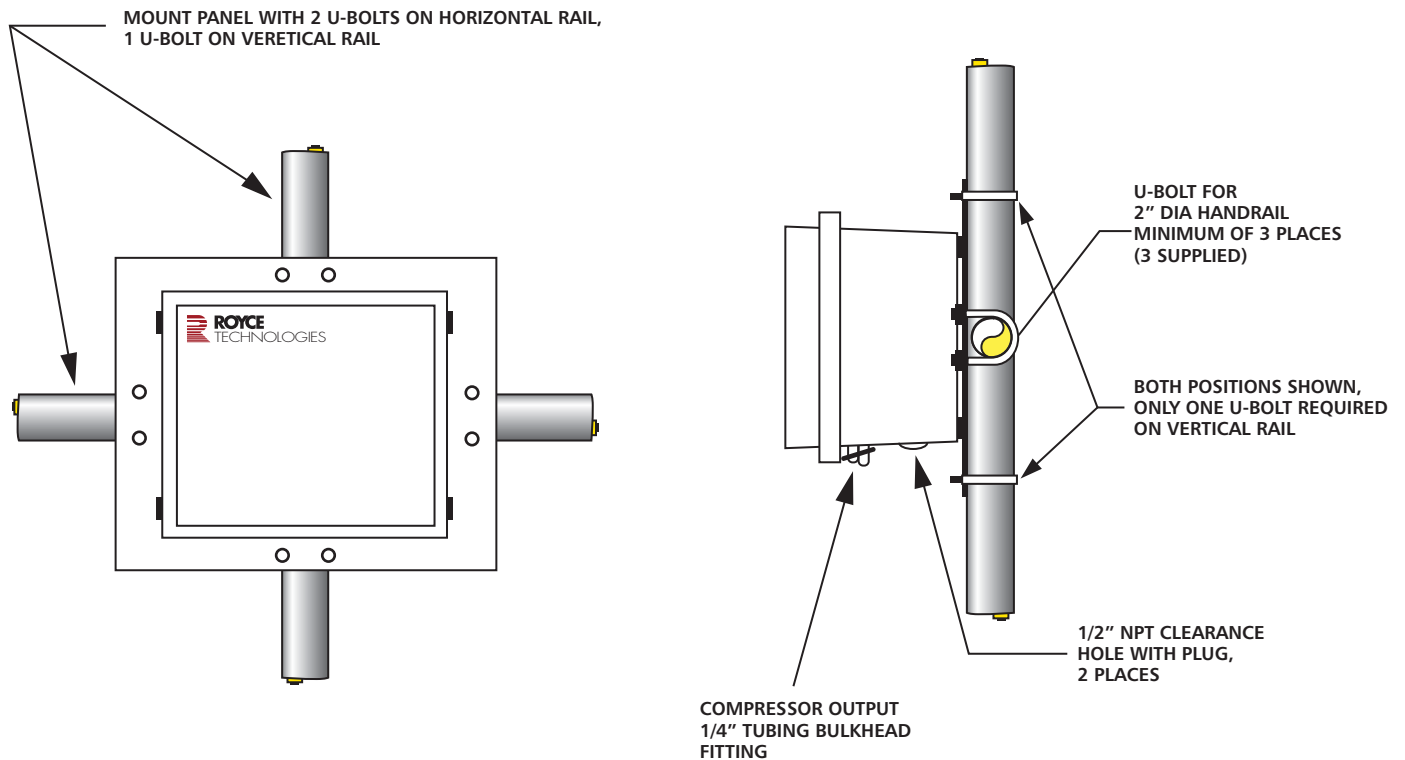
Enclosure Dimensions:

JC-1 – 14" W x 12" H x 6" D
JC-2 or 4 – 17.5" W x 16" H x 10.5" D
Door Hinges Up

Weight:

JC-1 – 26 lbs, 11.8 kgms
JC-2 – 37 lbs, 16.8 kgms
JC-4 – 40 lbs, 18.2 kgms

JC SERIES COMPRESSOR OUTLINE AND MOUNTING



To find Royce products near you please visit: roycetechnologies.com

VBR1004 (9/2009)



ITT Water & Wastewater
14125 So. Bridge Circle
Charlotte, NC 28273

Toll Free: 800-347-3505
Phone: 704-409-9898

Fax: 704-409-9899
Email: royce@itt.com